

M08016

DEVICE OVERVIEW

HD/SD Serial Digital Video Cable Equalizer

The M08016 is a high-speed, low-power, adaptive co-axial cable equalizer designed to increase the maximum low-jitter transmission distance of serial digital video signals across commonly used bandwidth-limiting 75Ω coaxial cable.

The M08016 is designed for data rates at 1.485 Gb/s and 270 Mb/s to support serial digital video transmission for standard definition (525i and 625i) and high definition (720p, 1080i, and 1080p) component video. The device also supports 8-bit or 10-bit component digital video (RGB or YCbCr 4:4:4 sampled and YCbCr 4:2:2 or 4:2:0 sampled).

This device automatically optimizes the transfer function based on the bit rate and cable length to minimize the inter-symbol interference (ISI) jitter caused by the cable and to remove the DC offset components introduced with the pathological video pattern and AC coupling in systems.

The low-noise, high-gain equalizer allows for low jitter 1.485 Gb/s transmissions up to a length of 200m (Belden 1694A) and 120m (Belden 8281). At 270 Mb/s, cable lengths up to 400m (Belden 1694A) and 300m (Belden 8281) are supported.

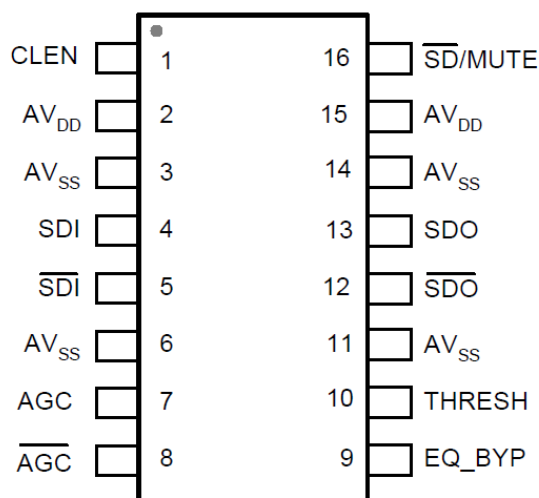


Figure 1 – M08016 Pin-out diagram



M08016

Serial Digital Video
Cable Equalizer for
1.485 Gb/s,
and 270 Mb/s
data rates

> Applications

- Digital Video Recorders (DVR)
- Video Mixers and Switchers
- Surveillance / CCTV Cameras
- Industrial and Professional Cameras
- Digital Image Capture Devices
- Digital Video Displays
- Distribution Amplifiers
- Repeaters

| Features | Benefits |
|---|---|
| Adaptive cable equalization | Design flexibility and control |
| Optimized data rates at 270 Mb/s to 1.485 Gb/s | Single Chip Solution for multiple data rates |
| Allows typical equalized length of up to 200m (Belden 1694A) and 120m (Belden 8281) for transmissions at 1.485 Gb/s | Extend industry standard cable lengths |
| Allows typical equalized length of up to 400m (Belden 1694A) and 300m (Belden 8281) for transmissions at 270 Mb/s | Extend industry standard cable lengths |
| Mute and manual bypass mode | Supports non standard rates |
| Differential CML outputs (50 Ω on-chip terminations) | Low cost integration |
| 2.5V and 3.3V power supply | Standard voltage supply supported |
| Small form factor and foot print (16-pin SOIC package) | Industry standard package |
| Low power dissipation (177mW at 2.5V and 230mW at 3.3V) | Low power and thermal management costs |
| Extended operating temperature range: -10°C to +85 °C | Provides additional margin for various applications |

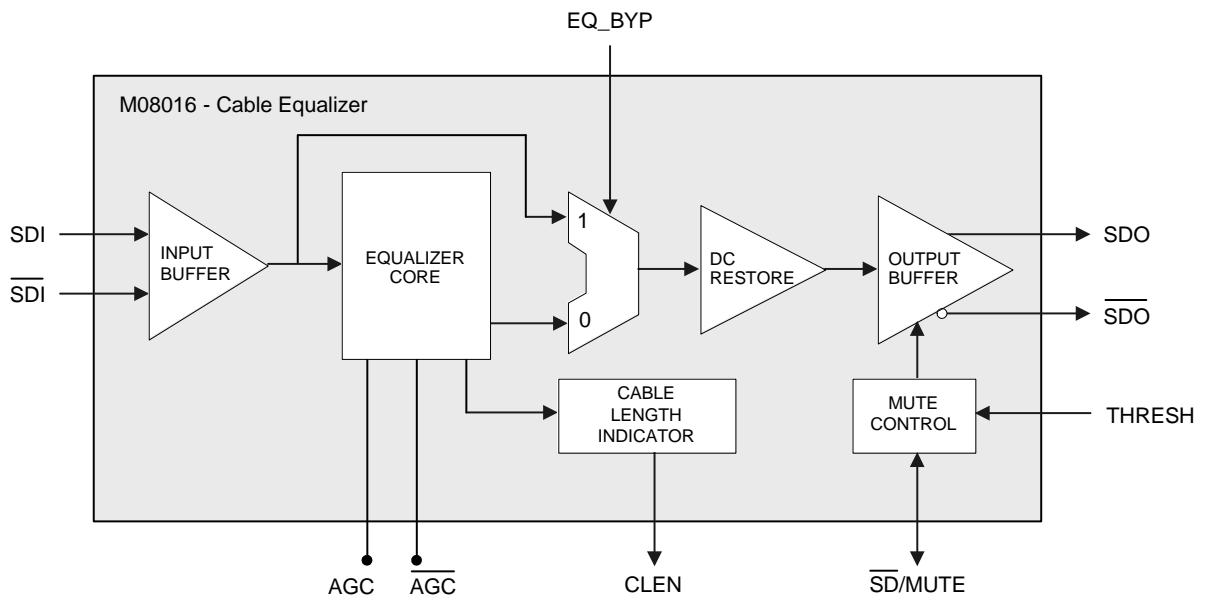


Figure 2 – M08016 Functional Block Diagram

Package (RoHS Compliant)

- 16-pin SOIC



For more product information, please visit www.mindspeed.com

MINDSPEED

www.mindspeed.com/salesoffices
 General Information: (949) 579-3000
 Headquarters – Newport Beach
 4000 MacArthur Blvd., East Tower
 Newport Beach, CA 92660-3007

© 2011 Mindspeed Technologies, Inc. All rights reserved. Mindspeed and the Mindspeed logo are trademarks of Mindspeed Technologies. All other trademarks are the property of their respective owners. Although Mindspeed Technologies strives for accuracy in all its publications, this material may contain errors or omissions and is subject to change without notice. This material is provided as is and without any express or implied warranties, including merchantability, fitness for a particular purpose and non-infringement. Mindspeed Technologies shall not be liable for any special, indirect, incidental or consequential damages as a result of its use.